


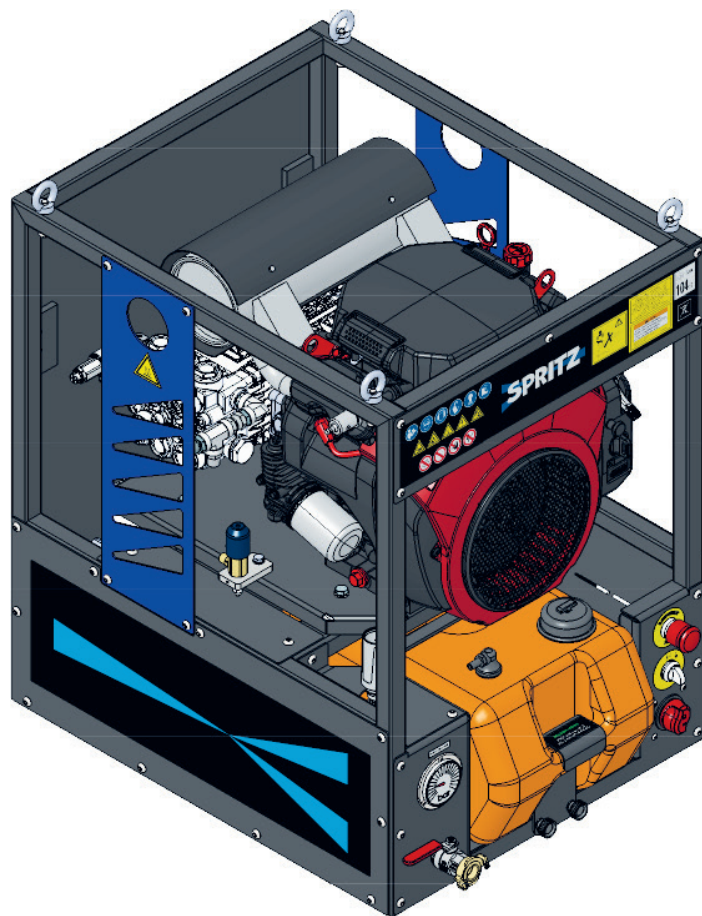
# SAVE TIME AND MAKE MONEY!



Enjoy your job with **SPRITZ**, the light and compact HP water jetter for cleaning and unblocking pipes up to DN 200

25 lt/min @ 300 bar  
Made in Italy   
high pressure pump

Honda Gx 690  
petrol engine



## Technical Specifications

Engine	<b>Honda Gx 690</b> w/electric start, air cooling, 22,1 hp, 688 cc, petrol power with 22 liters tank
Pump	<b>Interpump W3025</b> Flow <b>25</b> lt/min Maximum Pressure <b>300</b> bar With brass head and ceramic plungers Gearbox i=2,2 18,5 kW (25hp)
Safety	By-pass valve for pressure regulation Maximum pressure valve <b>Remote Control</b> to activate/disactivate flow and stop the engine Speed decelerator upon bypass valve activation Water storage tank, with a valve and float switch to stop filling when the tank is full, a low-level sensor to shut off the motor when the water runs out, and a water filter at the pump inlet. Battery Cut-Off Switch Emergency Button
Dimensions	830 x 615 x 875 mm (L x W x H)
Weight	180 kg (without reels and tanks)
Frame	Made of powder-coated steel Equipped with 4 eye bolts for lifting/removal using a hoist or forklift

## Features and benefits

- **Portable and compact**
- **Turn-Key Solution**
- **Custom**
- **Powerful Performance**
- **Versatile Applications**
- **Cost and Time Efficiency**
- **Premium components**

**SPRITZ** is a modular solution for permanent or temporary installation on your vehicle, the perfect equipment for clearing blockages efficiently with high pressure water in both residential and commercial drains.

## VIDEOGALLERY



# CUSTOMIZE YOUR SPRITZ WITH WATER TANK, REELS AND ACCESSORIES



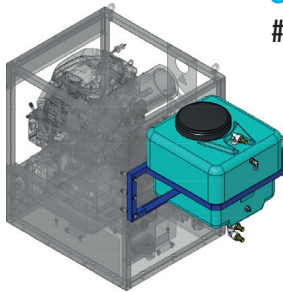
## Water Tank

With floating valve, level sensor to turn off the motor in case that the water runs out, and a water filter to prevent damage to the pump.

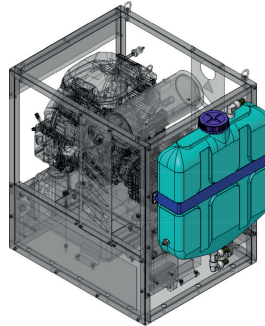
Capacity of:

- 30 lt
- 50 lt
- 300 lt
- 400 lt

**50 liters**  
#A4.JT06-13

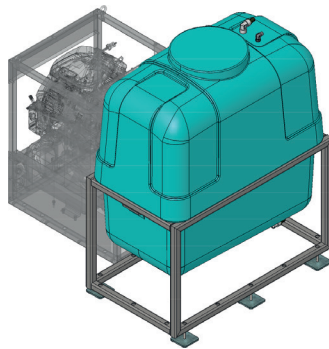


**30 liters**  
#A4.JT06-12



**300 liters**  
#A4.JT06-18

**400 liters**  
#A4.JT06-14



## Reels

Depending on the tank capacity and the intended use (with or without an on-site water supply), various configurations are available for the high- and low-pressure hoses.

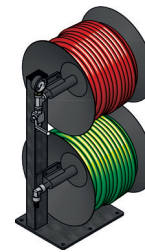
### Reel stack

with high pressure (up to 60 mt of 3/8" HP hose) and low pressure (up to 25 mt of 3/4" hose) reels.

### Remote reel

Up to 60 mt of 1/4" hose, gauge and ball valve.

All reels are equipped with a rotation lock. Those designed for high-pressure hoses are equipped with an inlet pressure gauge and a ball valve with an extra-long lever to facilitate valve opening and closing.



**Reel stack**  
#6001.03-07



**Remote reel**  
#6001.07

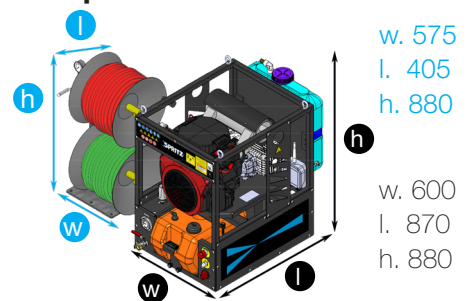
## Accessories

- **2 standard nozzles**  
(with and without forward jet)
- **Installation kit**
- **Remote control with belt**  
to activate/deactivate flow and remote stop in case of emergency

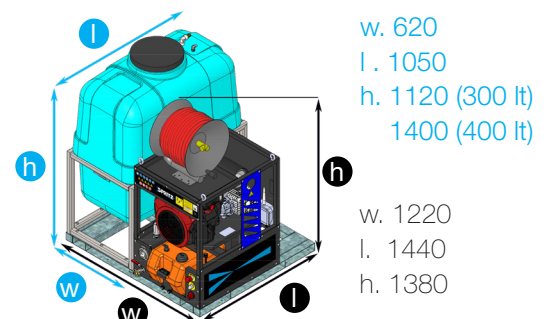


## Configuration alternatives

### Spritz with 30 lt tank and column



### Spritz with 300/400 lt tank, hp reel and palletizable structure



Available with or without a palletizable frame

## Nozzles and accessories (optional)



**Unblocking nozzle**  
#75150.01



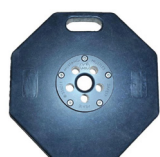
**Grease removal nozzle**  
#77531.00



**Root cutting nozzle**  
#75150.02\_1-4



**HP gun with lance**  
#3801.115-02



**Safety plate**  
#5300.21-01



**3/16" hose for DN32-80 pipes cleaning**  
#5300.21-01



**1/8" nozzle**  
#5500.07